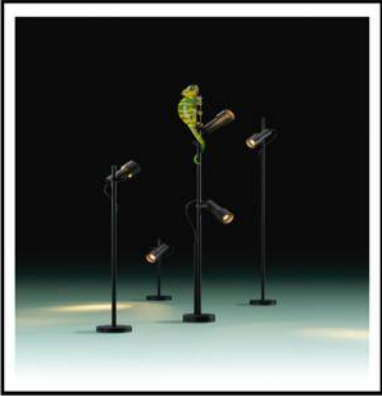




Luxera Lighting

Diamond



UPDATES



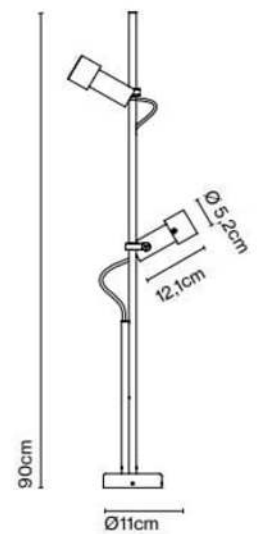




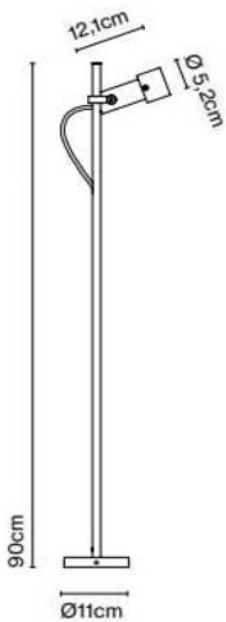


-Efficiency:85Lm/W-

-Body of aluminum



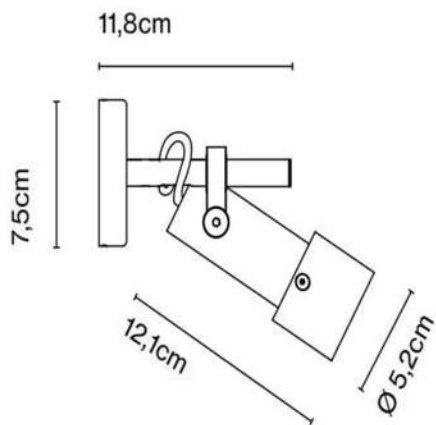
Order No.	Power(W)	Voltage(V)	CRI	Beam Angle(°)	SIZE(MM)
KDR-99003-G-2	2*7	100-240	90	15/25/40	Φ50*130*H1200



-Efficiency:85Lm/W

-Body of aluminum

Order No.	Power(W)	Voltage(V)	CRI	Beam Angle(°)	SIZE(MM)
KDR-99003-G-L	7	100-240	90	15/25/40	Φ50*130*H600



-Efficiency:85Lm/W

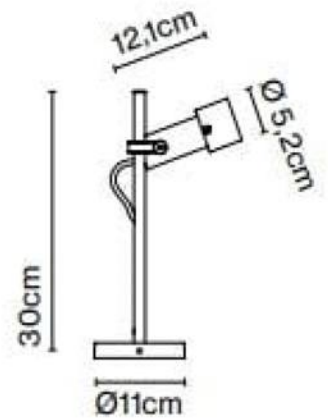
-Body of aluminum

Order No.	Power(W)	Voltage(V)	CRI	Beam Angle(°)	SIZE(MM)
KDR-99003-W	7	100-240	90	15/25/40	Φ50*130*L110

-Efficiency:85Lm/W

-Body of aluminum

Order No.	Power(W)	Voltage(V)	CRI	Beam Angle(°)	SIZE(MM)
KDR-99003-G-M	7	100-240	90	15/25/40	Φ 50*130*H300







-Efficiency:85Lm/W

-Body of aluminum

Order No.	Power(W)	Voltage(V)	CRI	Beam Angle(°)	SIZE(MM)
KDR-99004	5	100-240	90	15/25/40	Φ45*120*H300

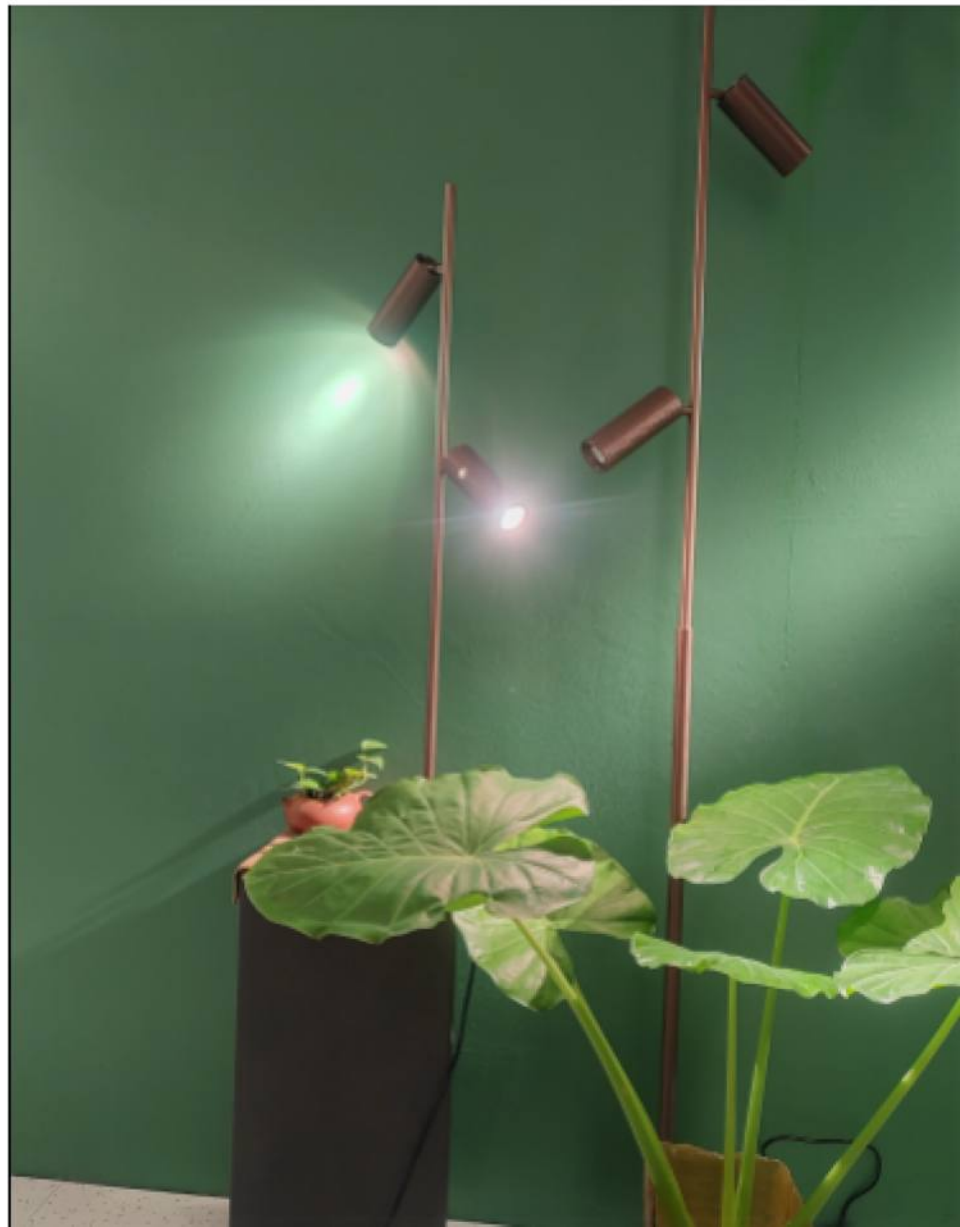




-Efficiency:85Lm/W

-Body of aluminum

Order No.	Power(W)	Voltage(V)	CRI	Beam Angle(°)	SIZE(MM)
KDR-99004	5	100-240	90	15/25/40	Φ45*120*H500







-Efficiency:85Lm/W

-Body of aluminum

Order No.	Power(W)	Voltage(V)	CRI	Beam Angle(°)	SIZE(MM)
KDR-99004	5	100-240	90	15/25/40	Φ 45*120*H2000



-Efficiency:85Lm/W

-Body of aluminum

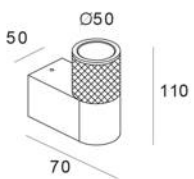
Order No.	Power(W)	Voltage(V)	CRI	Beam Angle(°)	SIZE(MM)
KDR-66056-1	5	100-240	85	15/25/40	Φ 60*H110
KDR-66056-2	2*5	100-240	85	15/25/40	Φ 60*H170





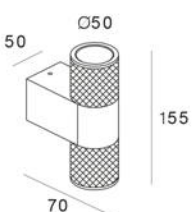


CE | RoHS | IP65 | 



-Efficiency:85Lm/W

-Body of aluminum



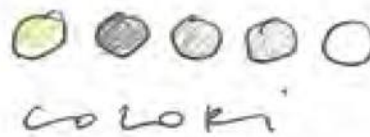
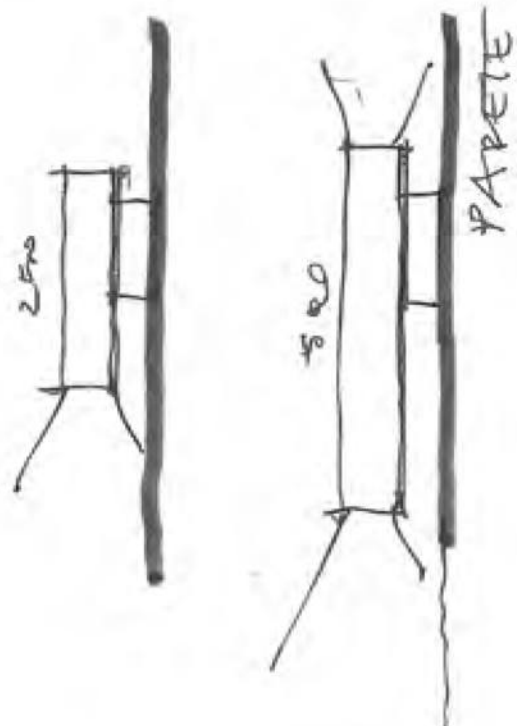
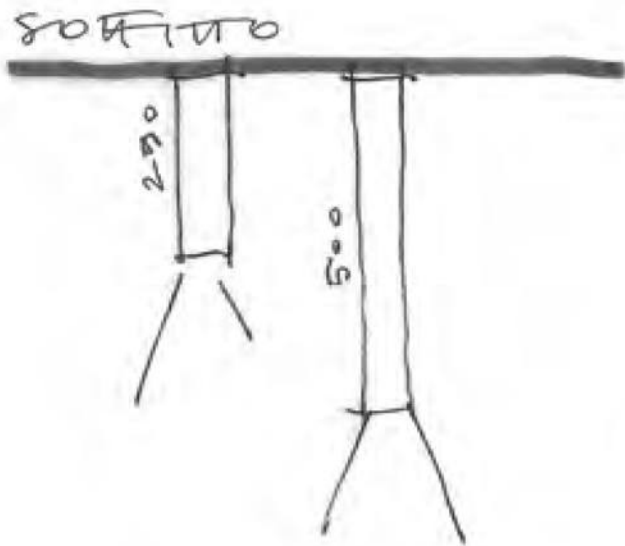
Order No.	Power(W)	Voltage(V)	CRI	Beam Angle(°)	SIZE(MM)
KDR-67400-W-1	5	100-240	90	15/25/40	Φ 50*H110
KDR-67400-W-2	2*5	100-240	90	15/25/40	Φ 50*H155



-Efficiency:85Lm/W

-Body of aluminum

Order No.	Power(W)	Voltage(V)	CRI	Beam Angle(°)	SIZE(MM)
KDR-94052-Z	5	100-240	90	15/25/40	Φ 50*H90

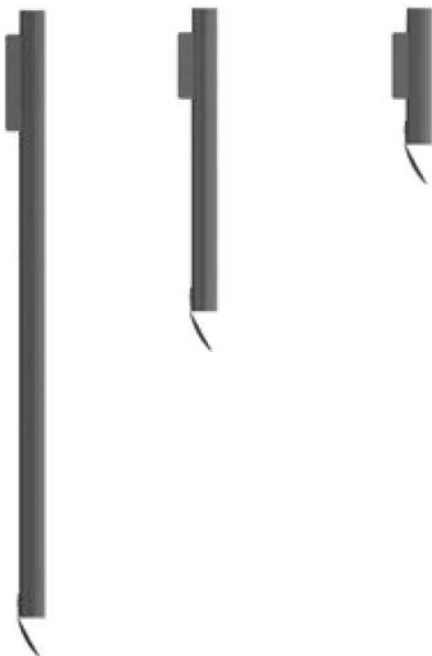


KOKO UNO

Un semplice cilindro, è la forma di questa lampada a luce diretta da soffitto e a sospensione o diretta/indiretta da parete con supporto. Una lampada che crea degli effetti di luce e ombra sulla parete e nell'ambiente.

A simple cylinder is the shape of this direct light ceiling lamp and suspension or direct/indirect wall lamp with stand. A lamp that creates light and shadow effects on the wall and in the room.





ø 50 mm

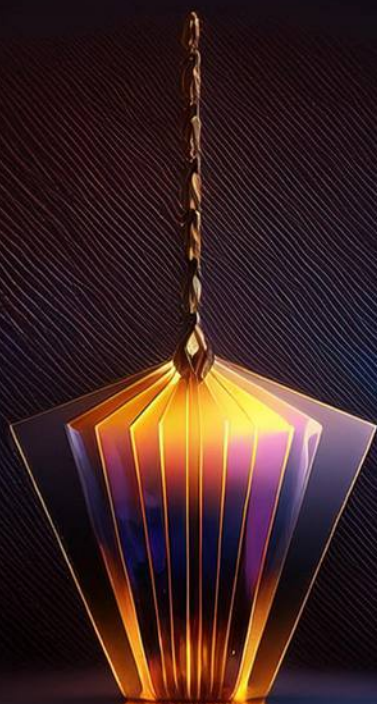


ø 50 mm



ø 50 mm





Luxera Lighting

www.luxeralighting.ro



+40 728 401 242



Șoseaua București
Urziceni 25, Afumați 077010,
Romania